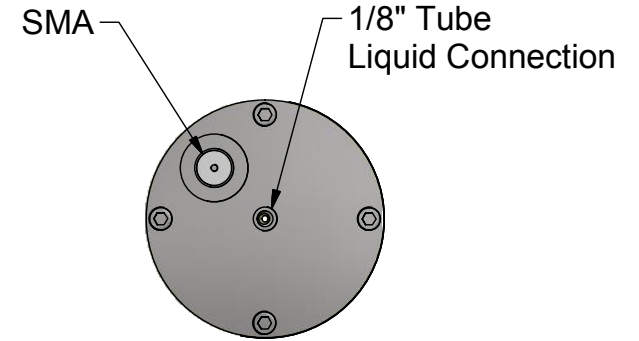
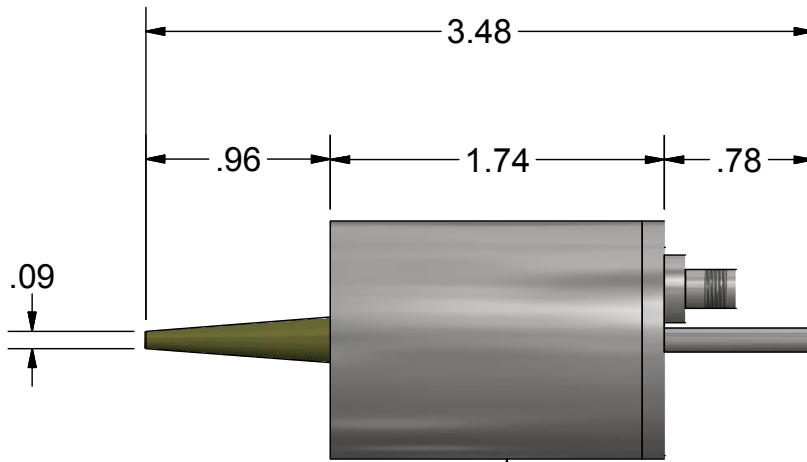
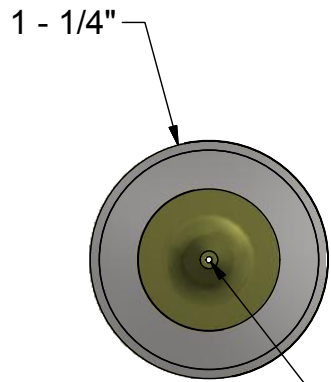
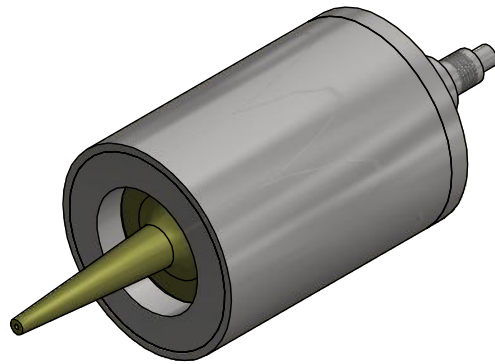


Sonaer Proprietary Information - The information provided on this drawing is of confidential nature and is property of Sonaer, Inc. and is not to be distributed, discussed, or photocopied to any third party without explicit written consent from Sonaer, Inc. All violators, if found by any source, will be prosecuted to the fullest extent of the law.

REVISION HISTORY

REV	DESCRIPTION	DATE
-----	-------------	------



316 Stainless Steel

ITEM NO.	PART NUMBER:	DESCRIPTION:	MATERIAL SPECS:	QTY:
PARTS LIST				
UNLESS OTHERWISE SPECIFIED ALL DRAWING UNITS ARE IN INCHES TOLERANCES ARE: FRACTIONS DECIMALS ANGLES HOLES AND SURFACES		CAD GENERATED DRAWING DO NOT MANUALLY UPDATE	SONAER INC.	
APPROVALS		DATE	PART NAME:	
DC		11-21-19	LOW FLOW 60kHz ATOMIZER NOZZLE	
MATERIAL:			DRAWING NO.:	
FINISH:			REV:	
SCALE:		CAD FILE:	SHEET	

4

3

2

1

4

3

2

1