

4

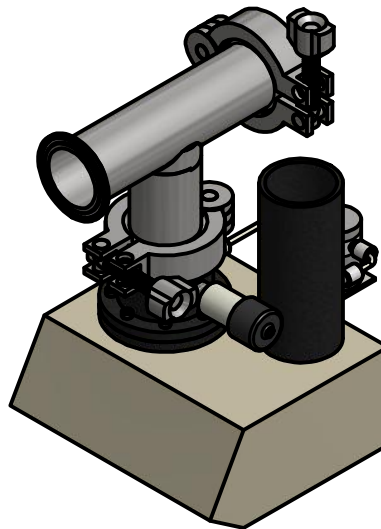
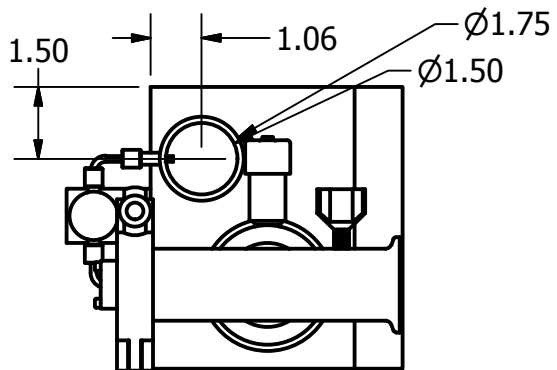
3

2

1

Sonaer Proprietary Information - The information provided on this drawing is of confidential nature and is property of Sonaer, Inc. and is not to be distributed, discussed, or photocopied to any third party without explicit written consent from Sonaer, Inc. All violators, if found by any source, will be prosecuted to the fullest extent of the law.

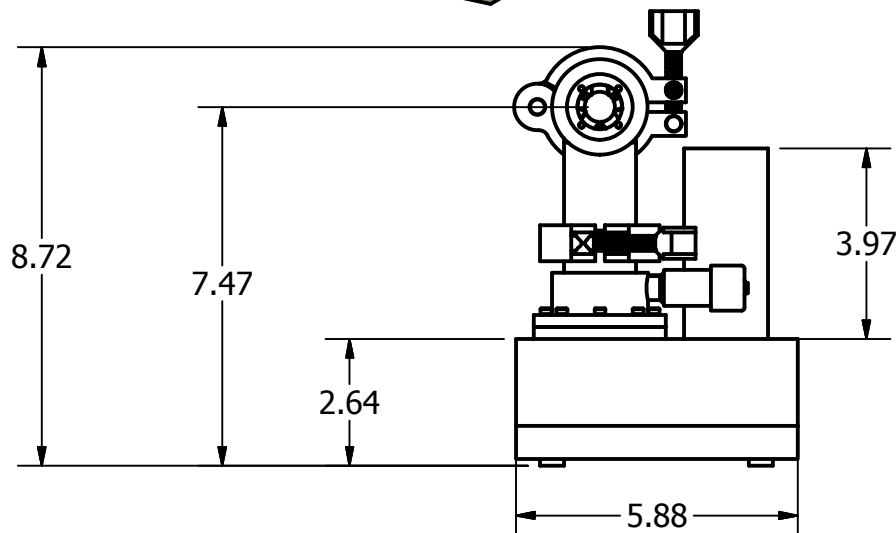
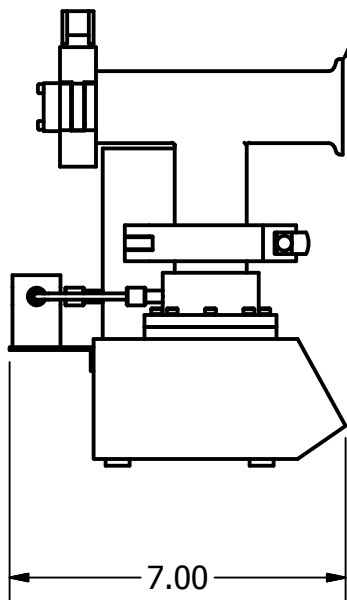
REVISION HISTORY		DATE
REV	DESCRIPTION	



B

B

1.5" TRICLAMP FLANGE, 4PL.



A

A

ITEM PART NUMBER: NO. 241PG_	DESCRIPTION:	MATERIAL SPECS:	QTY:
PARTS LIST			
UNLESS OTHERWISE SPECIFIED ALL DRAWING UNITS ARE IN INCHES TOLERANCES ARE: FRACTIONS DECIMALS ANGLES		CAD GENERATED DRAWING DO NOT MANUALLY UPDATE	
APPROVALS	DATE	SONAER INC. PART NAME: 2.4MHz PARTICLE GENERATOR	
JB	03-14-14		
MATERIAL:		SIZE A	DRAWING NO.: 241PG_
FINISH:		SCALE: 1:4	CAD FILE:
		SHEET 1	OF 1

4

3

2

1