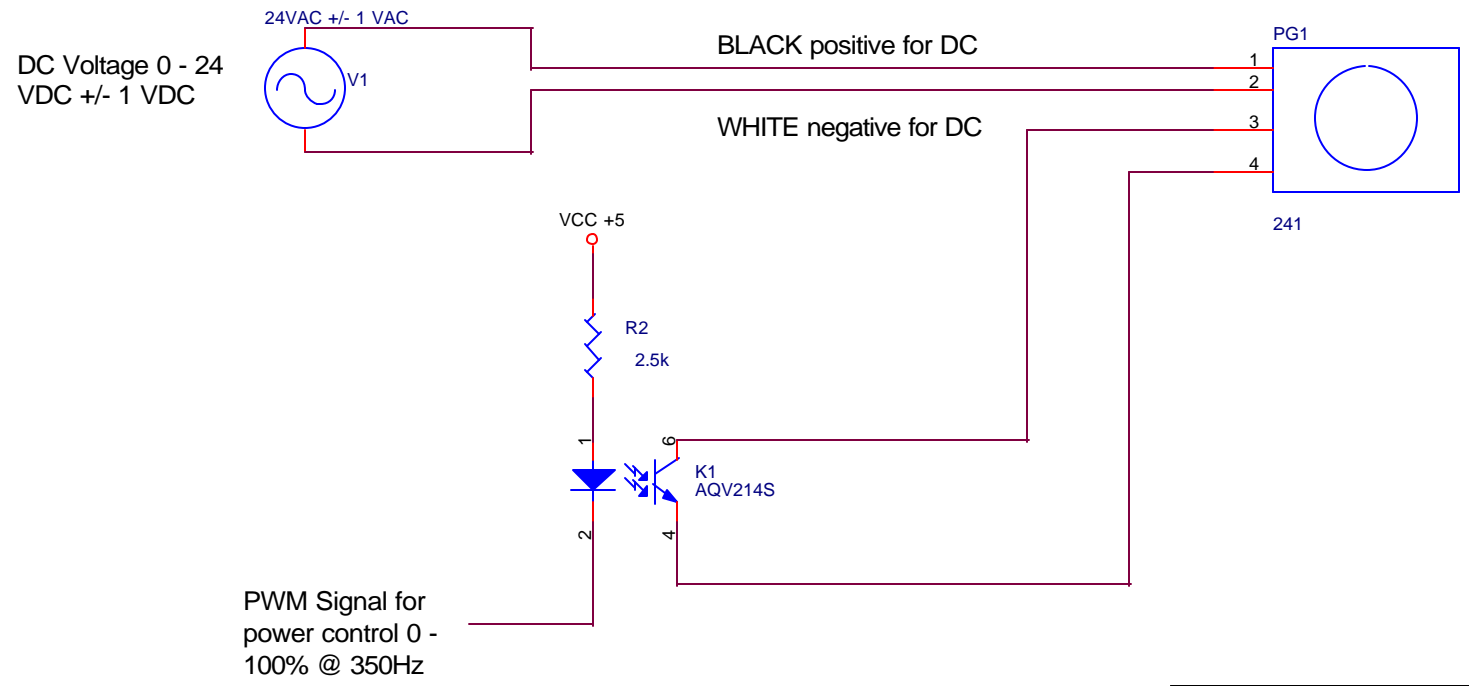


Power to the 241 can be controlled three ways.
Variable 24 VAC or variable 24 VDC or PWM below.



Title		
<Title>		
Size	Document Number	Rev
A	<Doc>	<RevCod>
Date:	Monday, August 25, 2008	Sheet 1 of 1