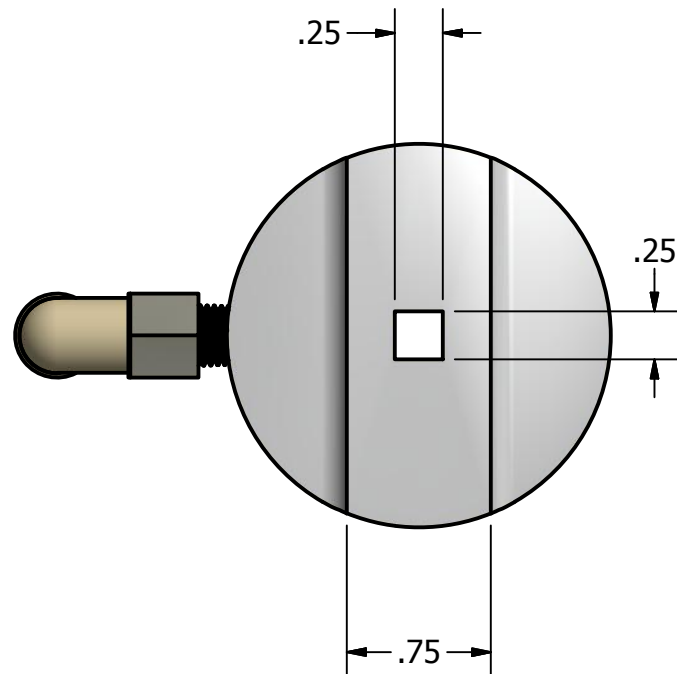
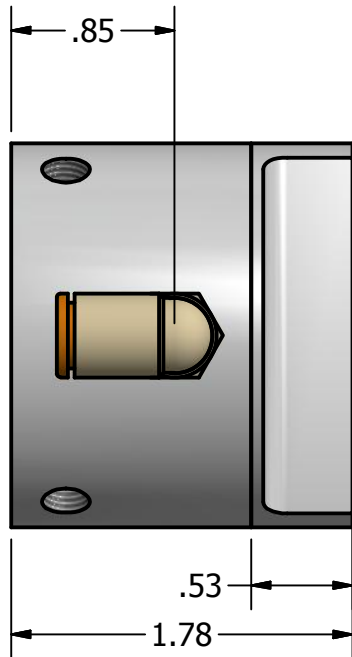
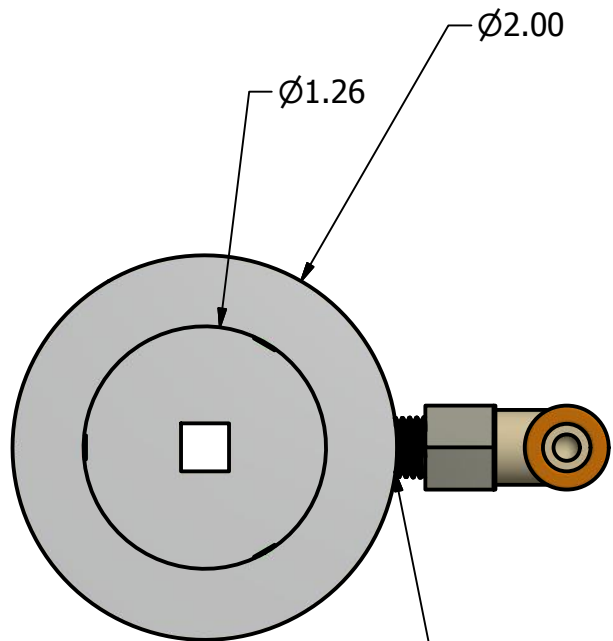


Sonaer Proprietary Information - The information provided on this drawing is of confidential nature and is property of Sonaer, Inc. and is not to be distributed, discussed, or photocopied to any third party without explicit written consent from Sonaer, Inc. All violators, if found by any source, will be prosecuted to the fullest extent of the law.

| REVISION HISTORY | | |
|------------------|-------------|------|
| REV | DESCRIPTION | DATE |
| | | |



1/16-27 NPT THREAD

| | | | | |
|---|--------------|---|-----------------|---|
| ITEM NO: | PART NUMBER: | DESCRIPTION: | MATERIAL SPECS: | QTY: |
| PARTS LIST | | | | |
| UNLESS OTHERWISE SPECIFIED ALL DRAWING UNITS ARE IN INCHES TOLERANCES ARE: FRACTIONS DECIMALS ANGLES | | CAD GENERATED DRAWING DO NOT MANUALLY UPDATE | | SONAER INC. PART NAME: FLSA |
| APPROVALS | | DATE | | |
| | | JB 06-04-15 | | SIZE A |
| MATERIAL: | | DRAWING NO.: | | |
| FINISH: | | REV: | | |
| SCALE: 1:1 | | CAD FILE: | | SHEET: |