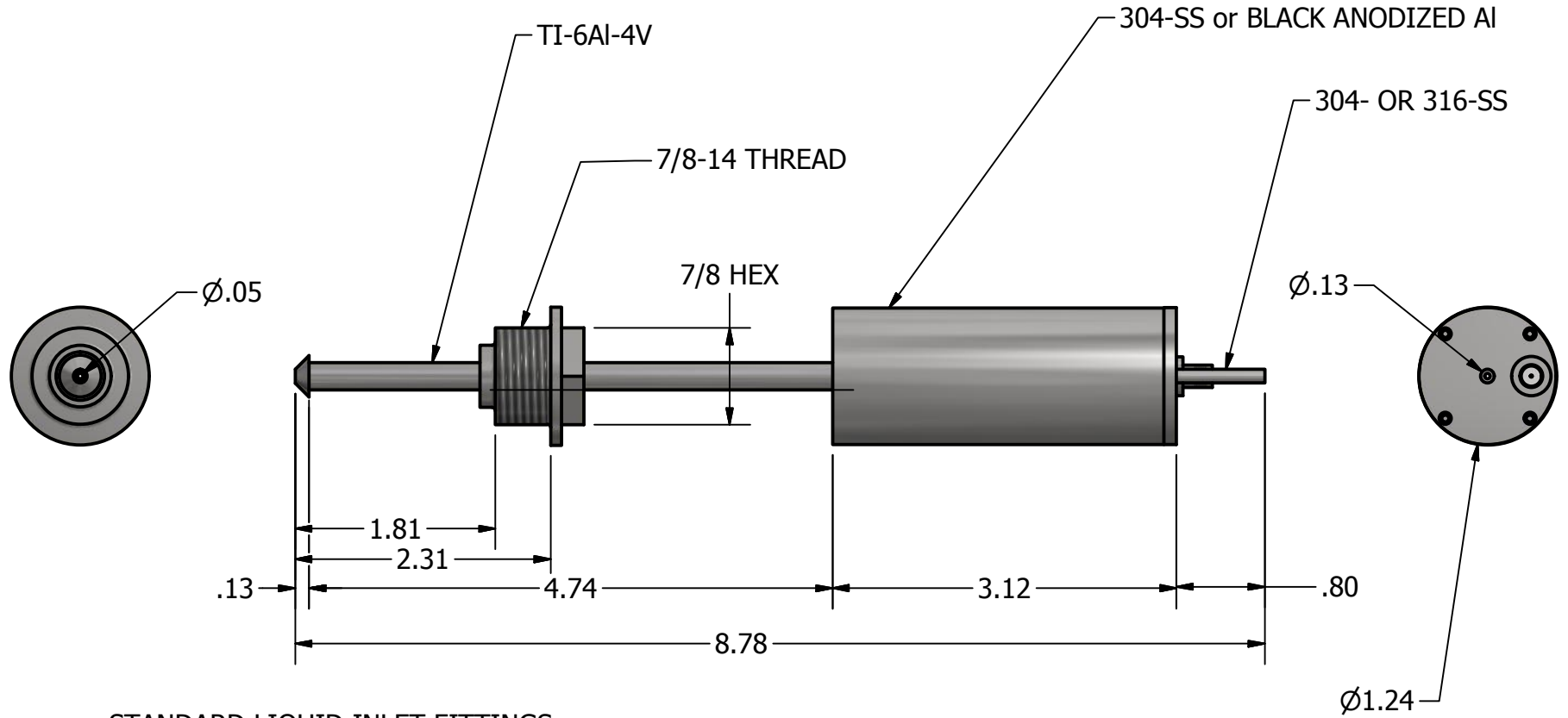


Sonaer Proprietary Information - The information provided on this drawing is of confidential nature and is property of Sonaer, Inc. and is not to be distributed, discussed, or photocopied to any third party without explicit written consent from Sonaer, Inc. All violators, if found by any source, will be prosecuted to the fullest extent of the law.

REV	DESCRIPTION	DATE



STANDARD LIQUID INLET FITTINGS:
 Push-To-Connect:
 PC-1/8 IN PB, BLACK NYLON, OR
 Ni-PLATED BRASS

OTHER AVAILABLE LIQUID INLET
 FITTINGS:
 Compression: Stainless Steel
 IDEX18-18
 IDEX116-18
 CF18-18
 CF116-18

ITEM NO.	PART NUMBER:	DESCRIPTION:	MATERIAL SPECS:	QTY:
PARTS LIST				
UNLESS OTHERWISE SPECIFIED ALL DRAWING UNITS ARE IN INCHES TOLERANCES ARE: FRACTIONS DECIMALS ANGLES		CAD GENERATED DRAWING DO NOT MANUALLY UPDATE		SONAER INC. PART NAME: HTWS30
MATERIAL:		APPROVALS JB	DATE 07-15-14	
FINISH:				
SCALE: 1:1.5			CAD FILE:	SHEET