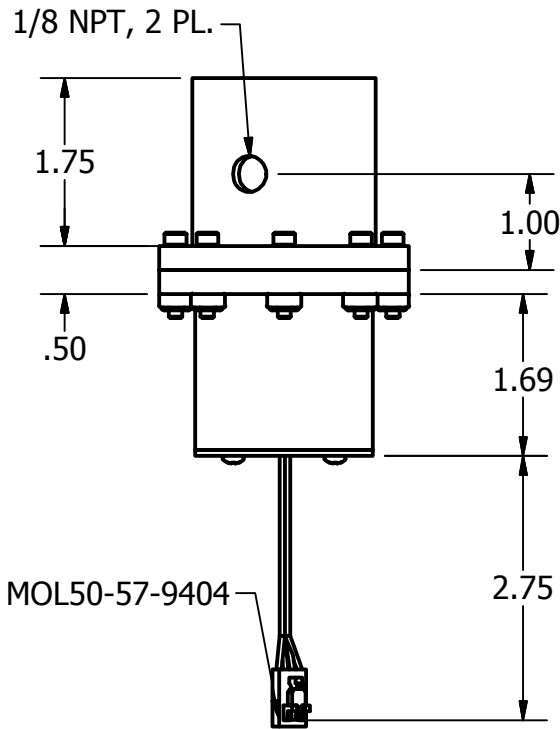
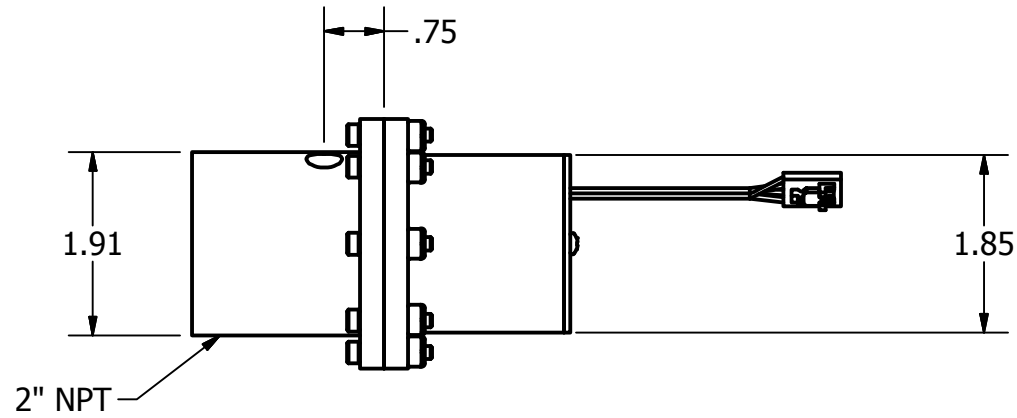
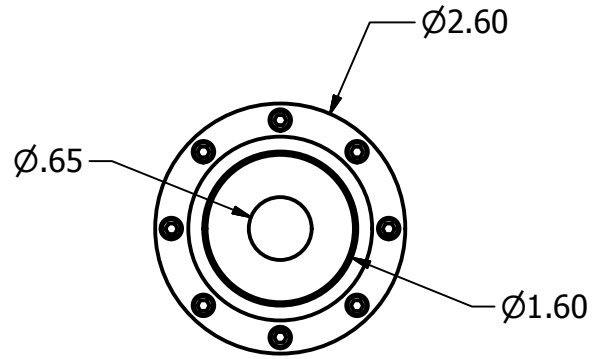


Sonaer Proprietary Information - The information provided on this drawing is of confidential nature and is property of Sonaer, Inc. and is not to be distributed, discussed, or photocopied to any third party without explicit written consent from Sonaer, Inc. All violators, if found by any source, will be prosecuted to the fullest extent of the law.

REVISION HISTORY

REV	DESCRIPTION	DATE
-----	-------------	------



ITEM NO:	PART NUMBER: 241CT_CST_CV	DESCRIPTION:	MATERIAL SPECS:	QTY:
PARTS LIST				
UNLESS OTHERWISE SPECIFIED ALL DRAWING UNITS ARE IN INCHES TOLERANCES ARE: FRACTIONS    DECIMALS    ANGLES 3PL. ±.002    ±1.0° 2PL. ±.005 1PL. ±.010		CAD GENERATED DRAWING DO NOT MANUALLY UPDATE	<b>SONAER INC.</b>	
APPROVALS		DATE	PART NAME:	
SC		06-20-13	NEBULIZER WITH CONTAINMENT VESSEL	
MATERIAL:		SIZE		DRAWING NO.:
FINISH:		A		241CT_CST_CV
		SCALE: 1/2		CAD FILE: SHEET