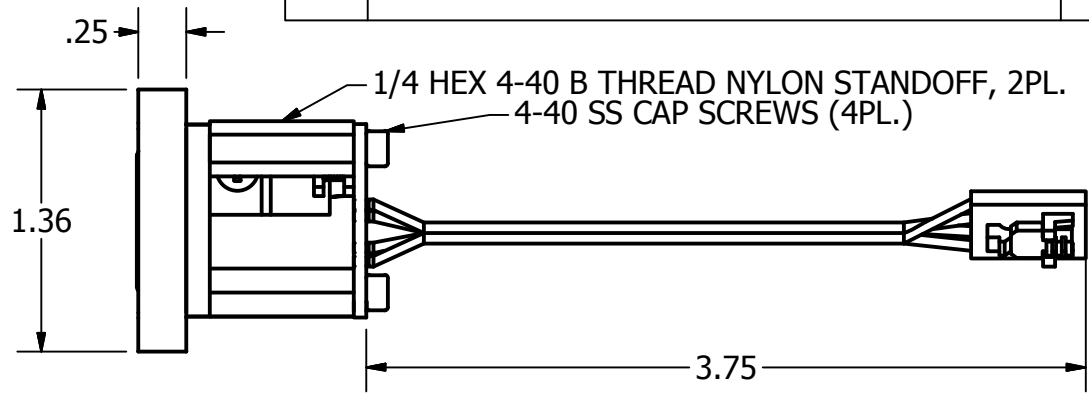
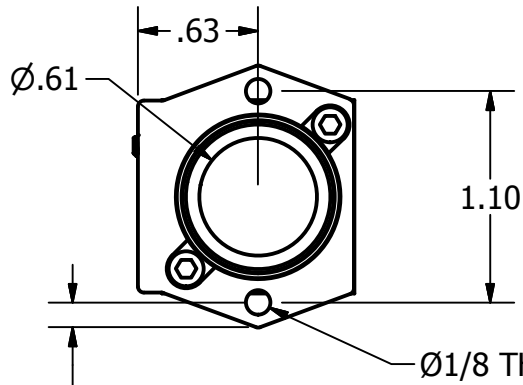
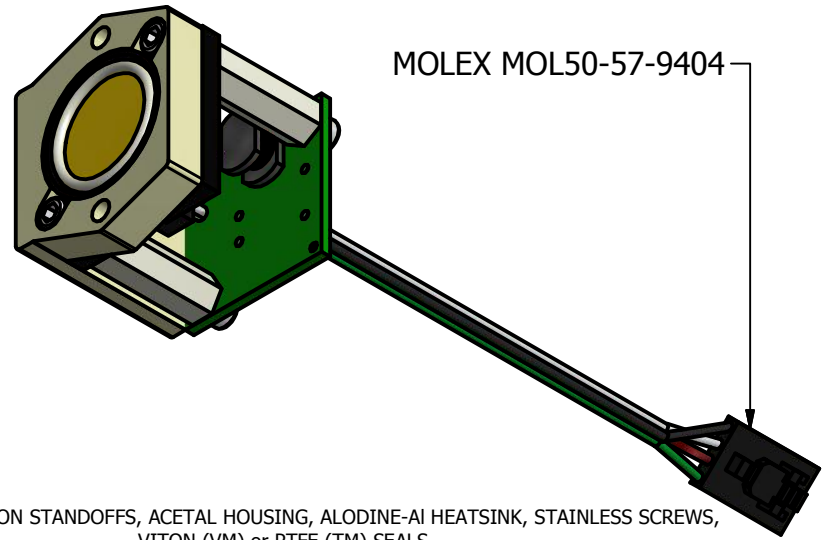
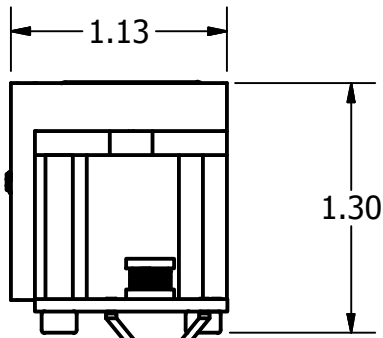


Sonaer Proprietary Information - The information provided on this drawing is of confidential nature and is property of Sonaer, Inc. and is not to be distributed, discussed, or photocopied to any third party without explicit written consent from Sonaer, Inc. All violators, if found by any source, will be prosecuted to the fullest extent of the law.

REVISION HISTORY		
REV	DESCRIPTION	DATE



.13 TYP.



MATERIALS: NYLON STANDOFFS, ACETAL HOUSING, ALODINE-AI HEATSINK, STAINLESS SCREWS, VITON (VM) or PTFE (TM) SEALS

ITEM NO:	PART NUMBER: 241-M	DESCRIPTION:	MATERIAL SPECS:	QTY: 1
UNLESS OTHERWISE SPECIFIED ALL DRAWING UNITS ARE IN INCHES TOLERANCES ARE: FRACTIONS DECIMALS ANGLES ±1.0°				
CAD GENERATED DRAWING DO NOT MANUALLY UPDATE		PARTS LIST		
APPROVALS		DATE		
JB		03-11-14		
MATERIAL:		SONAER INC.		
FINISH:		PART NAME: NEBULIZER ELEMENT/MODULE		
SIZE A	DRAWING NO.:	REV:		
SCALE: 1:1	CAD FILE:	SHEET: 1 OF 1		