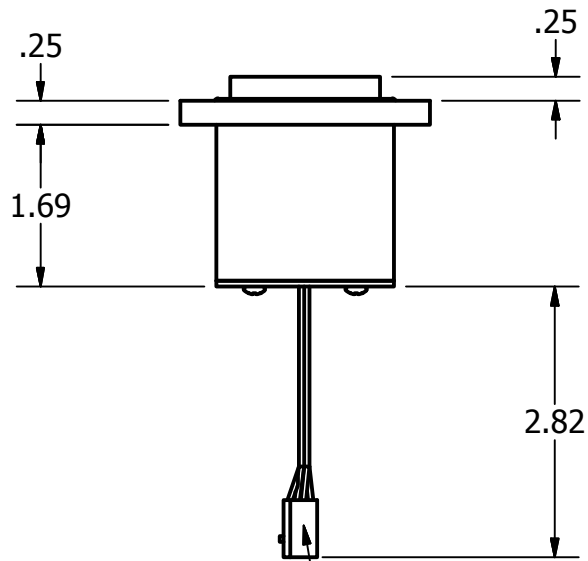
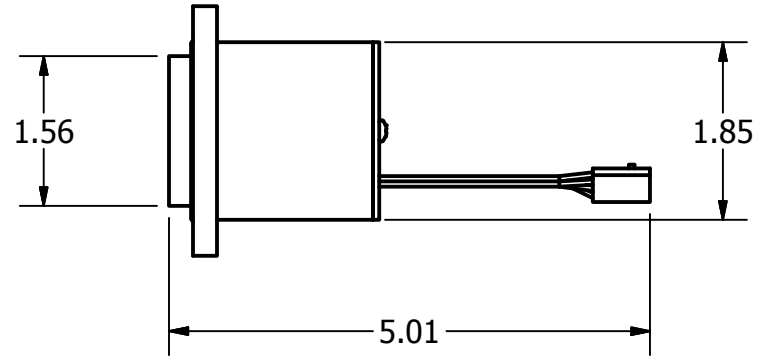
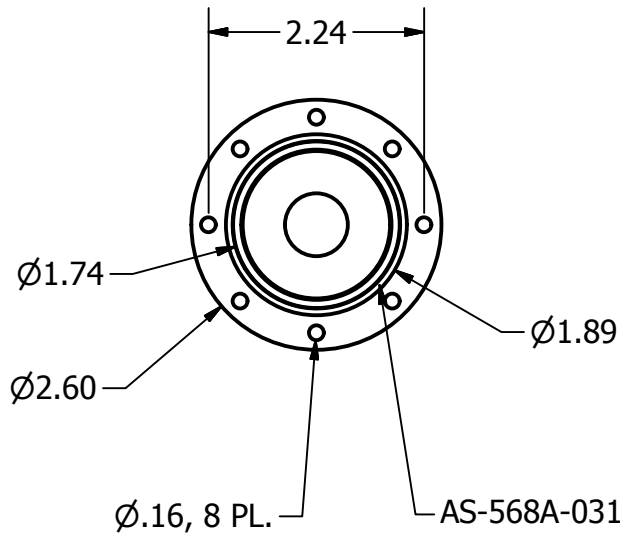


Sonaer Proprietary Information - The information provided on this drawing is of confidential nature and is property of Sonaer, Inc. and is not to be distributed, discussed, or photocopied to any third party without explicit written consent from Sonaer, Inc. All violators, if found by any source, will be prosecuted to the fullest extent of the law.

REVISION HISTORY		
REV	DESCRIPTION	DATE



ITEM NO.	PART NUMBER: 241T_V	DESCRIPTION:	MATERIAL SPECS:	QTY:
PARTS LIST				
UNLESS OTHERWISE SPECIFIED ALL DRAWING UNITS ARE IN INCHES TOLERANCES ARE: FRACTIONS DECIMALS ANGLES 3PL. ±.002 ±1.0° 2PL. ±.005 1PL. ±.010		CAD GENERATED DRAWING DO NOT MANUALLY UPDATE	SONAER INC.	
MATERIAL:		APPROVALS	DATE	PART NAME:
FINISH:		SC	03-12-14	NEBULIZER WITH OUT CONTAINMENT VESSEL
		DRAWING NO.: 241T_V		REV:
		SCALE: 1/2 CAD FILE:		SHEET