

4

3



2

1

Sonaer Proprietary Information - The information provided on this drawing is of confidential nature and is property of Sonaer, Inc. and is not to be distributed, discussed, or photocopied to any third party without explicit written consent from Sonaer, Inc. All violators, if found by any source, will be prosecuted to the fullest extent of the law.

REVISION HISTORY

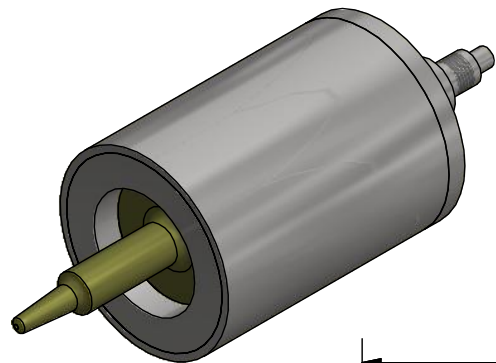
REV

DESCRIPTION

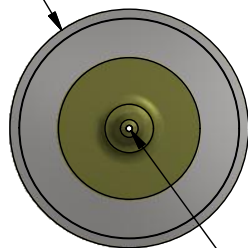
DATE

B

B



1 - 1/4"

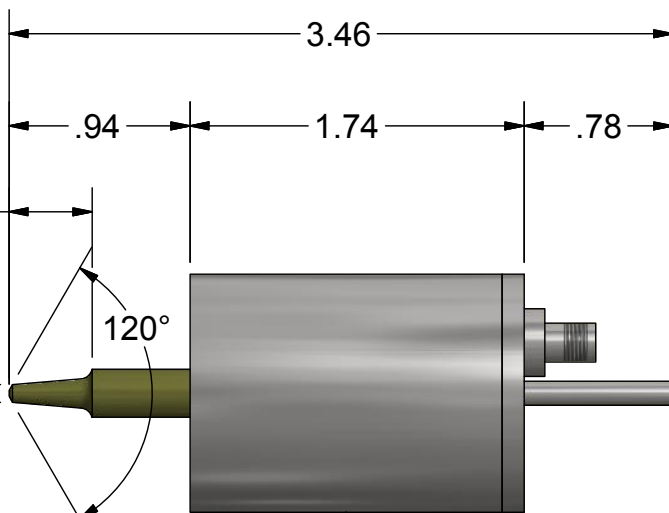


Ø.030

Ø.09

.43

120°



3.46

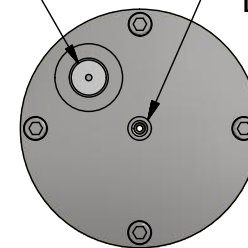
.94

1.74

.78

SMA

1/8" Tube
Liquid Connection



316 Stainless Steel

A

A

ITEM PART NUMBER: NO.		DESCRIPTION:		MATERIAL SPECS:	QTY:
PARTS LIST					
UNLESS OTHERWISE SPECIFIED ALL DRAWING UNITS ARE IN INCHES TOLERANCES ARE: FRACTIONS DECIMALS ANGLES HOLES AND SURFACES		CAD GENERATED DRAWING DO NOT MANUALLY UPDATE		SONAER INC.	
APPROVALS		DATE		PART NAME: LOW FLOW 130kHz ATOMIZER NOZZLE 120°	
DC		12-04-19			
MATERIAL:				DRAWING NO.:	
FINISH:					
SCALE:		CAD FILE:		SHEET	

4

3



2

1