

4

3



2

1

Sonaer Proprietary Information - The information provided on this drawing is of confidential nature and is property of Sonaer, Inc. and is not to be distributed, discussed, or photocopied to any third party without explicit written consent from Sonaer, Inc. All violators, if found by any source, will be prosecuted to the fullest extent of the law.

REVISION HISTORY

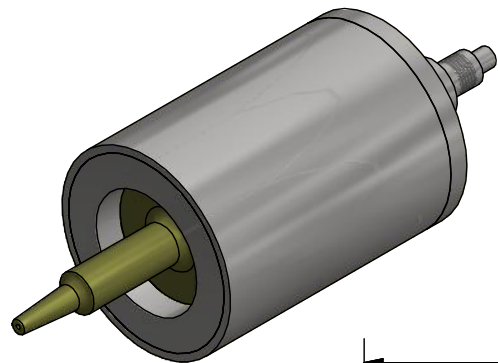
REV

DESCRIPTION

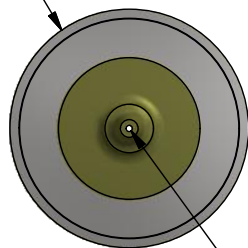
DATE

B

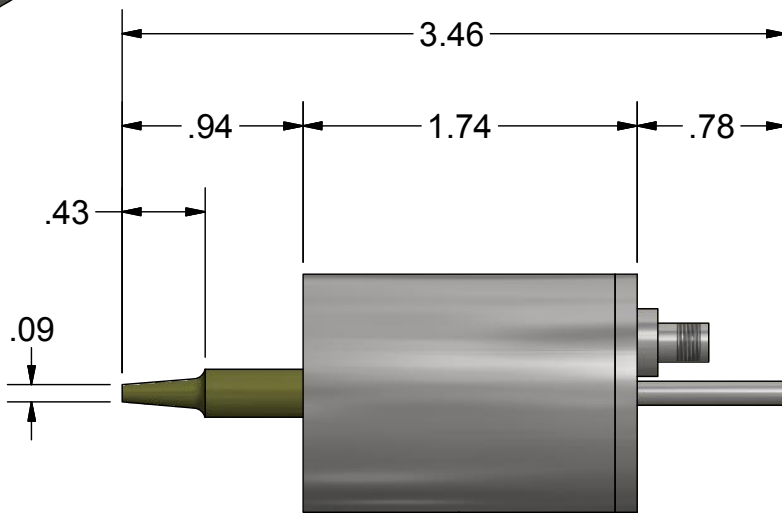
B



1 - 1/4"



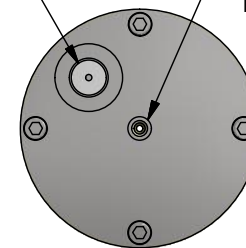
Ø.030



316 Stainless Steel

SMA

1/8" Tube Liquid Connection



A

A

ITEM PART NUMBER: NO.	DESCRIPTION:	MATERIAL SPECS:	QTY:
--------------------------	--------------	-----------------	------

PARTS LIST

UNLESS OTHERWISE SPECIFIED
ALL DRAWING UNITS ARE IN INCHES
TOLERANCES ARE:
FRACTIONS DECIMALS ANGLES
HOLES AND SURFACES

CAD GENERATED DRAWING
DO NOT MANUALLY UPDATE

SONAER INC.

APPROVALS

DATE

PART NAME:

LOW FLOW 130kHz
ATOMIZER NOZZLE

DC

12-04-19

MATERIAL:

FINISH:

SIZE

DRAWING NO.:

REV:

SCALE:

CAD FILE:

SHEET

4

3



2

1